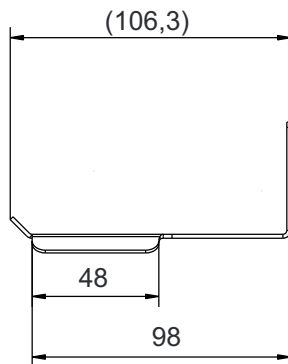
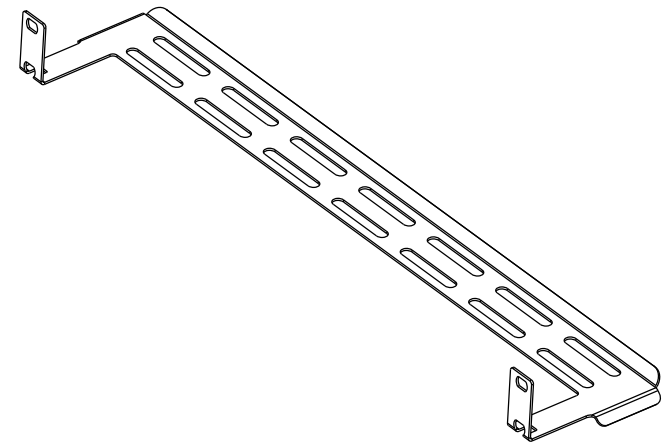
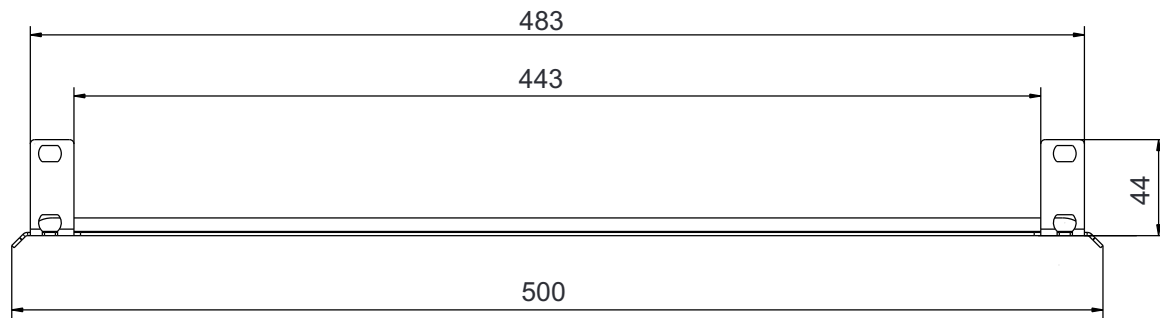



Technical Datasheet

Routing Porch Panel 19" 0U



Material
Steel powdered RAL 7035

Article No.
AVRMET1E

b a	Änderung Spr. Neuerstellung	21.12.2023 22.01.2020	TG LP	drawn	22.01.2020	LP
				appr.	22.01.2020	MJ
Rev. Index				Titel:		
Revision code				EasyLan® Routing porch panel 19" 0U		
Date				Drawing Number:		
Name				ZN-BL200027		
						
				Dimensions: mm		
				Original: DIN A4		
				Sheet 1 of 1		