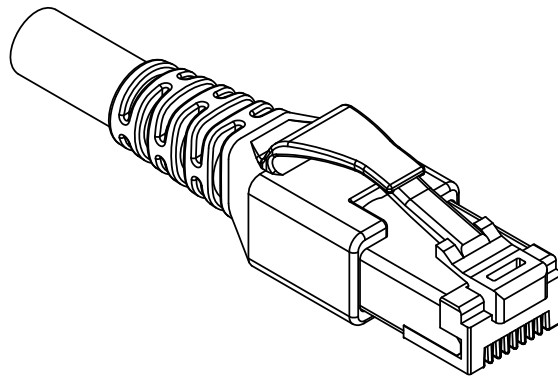


# Technical Datasheet

## EasyLan<sup>®</sup> Patch Cord SolidCon Cat.6<sub>A</sub> ISO/IEC



				drawn	08.11.2017	LP	 <b>EasyLan<sup>®</sup></b> ...for a better connectivity	
				appr.	08.11.2017	MJ		
b a	Änderung Neuerstellung	03.03.2021 08.11.2017	LP LP	Titel: <b>EasyLan<sup>®</sup> Patch Cord SolidCon          Cat.6<sub>A</sub> ISO/IEC</b>				Dimensions: mm
				Drawing number: <b>ZN-CU171173</b>				Original: DIN A4
Index	Revision code	Date	Name				Sheet 1 of 3	

# Technical Data

<b>General data</b>	
Connection	1:1
Colors	blue
Identification possibility	Colorclips (CPZHS7BOX)
<b>Cable characteristics</b>	
Cable type	S/FTP
Number twisting elements	4P
Twisting elements	Pair
Configuration	LSHF(LSOH) acc. EN50290-2-27
Braid	AWG23/1
Category	Cat. 6A
Shielding	shielded
Test Voltage	1000V
<b>Connector characteristics</b>	
Housing material	Polycarbonate
Pin plating	Au (Gold)
<b>Environmental conditions</b>	
Temperature range during operation	-25°C bis + 60°C / -25°C to + 60°C
Temperature range during installation	0°C bis + 50°C / 0°C to + 50°C
<b>Approvals</b>	
RoHS	conform
<b>Standards</b>	
General requests	ISO/IEC 11801 Ed.2.2: 2011-06 / DIN EN 50173-1: 2011-09 / TIA/EIA 568-C.2
Plug	DIN EN 60603-7
<b>Transmission characteristics</b>	
Category (ISO)	6A
Class (ISO/IEC)	EA
Category (TIA)	6A
Remote powering	ja / yes
PoE	IEEE 802.3af
PoE +	IEEE 802.3at
PoE ++	IEEE 802.3bt
UPoE	ja / yes
HDBaseT	ja / yes
Bit rate up to 10 GBit	IEEE 802.3an

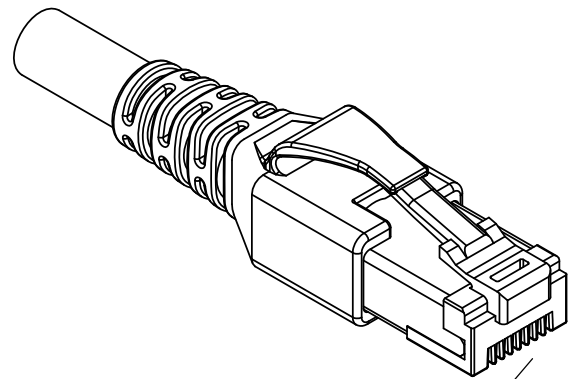
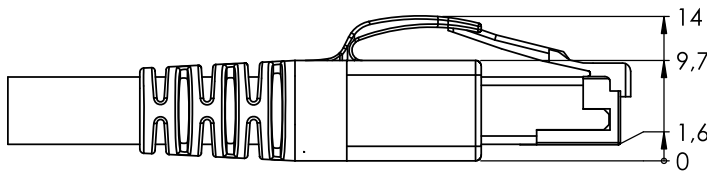
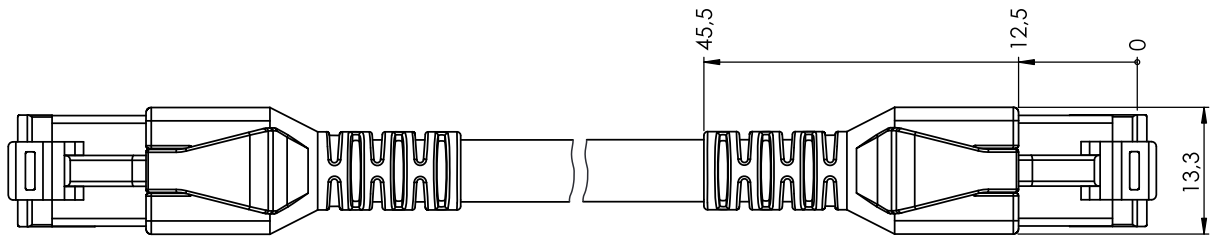
All rights reserved ZVK GmbH D-94244 Teisnach Technologiecampus 2 Germany Phone: +49 9923 804379-0 Fax: +49 9923 804379-50 www.zvk-gmbh.de all data without guarantee

b a	Änderung Neuerstellung	03.03.2021 08.11.2017	LP LP	drawn	08.11.2017	LP	 <b>EasyLan</b> <sup>®</sup> ...for a better connectivity	
				appr.	08.11.2017	MJ		
Index	Revision code	Date	Name	Titel: <b>EasyLan<sup>®</sup> Patch Cord SolidCon                  Cat.6<sub>A</sub> ISO/IEC</b>				Dimensions: mm
				Drawing number: <b>ZN-CU171173</b>				Original: DIN A4
							Sheet 2 of 3	

# Technical Data

Electrical Characteristics	
Loop resistance	300 Ω/km
Insulation resistance	> 2000 MΩ*km
Characteristic impedance	100 ± 5Ω
Propagation delay	> 10 Mhz: 4,5ns/m

## Drawing



dimension RJ45  
according to IEC 60603-7

All rights reserved ZVK GmbH D-94244 Teisnach Technologiecampus 2 Germany Phone: +49 9923 804379-0 Fax: +49 9923 804379-50 www.zvk-gmbh.de all data without guarantee

b a	Änderung Neuerstellung	03.03.2021 08.11.2017	LP LP	drawn	08.11.2017	LP	
				appr.	08.11.2017	MJ	
Index	Revision code	Date	Name	Titel: EasyLan® Patch Cord SolidCon Cat.6 <sub>A</sub> ISO/IEC			Dimensions: mm
				Drawing number: ZN-CU171173			Original: DIN A4
							Sheet 3 of 3

